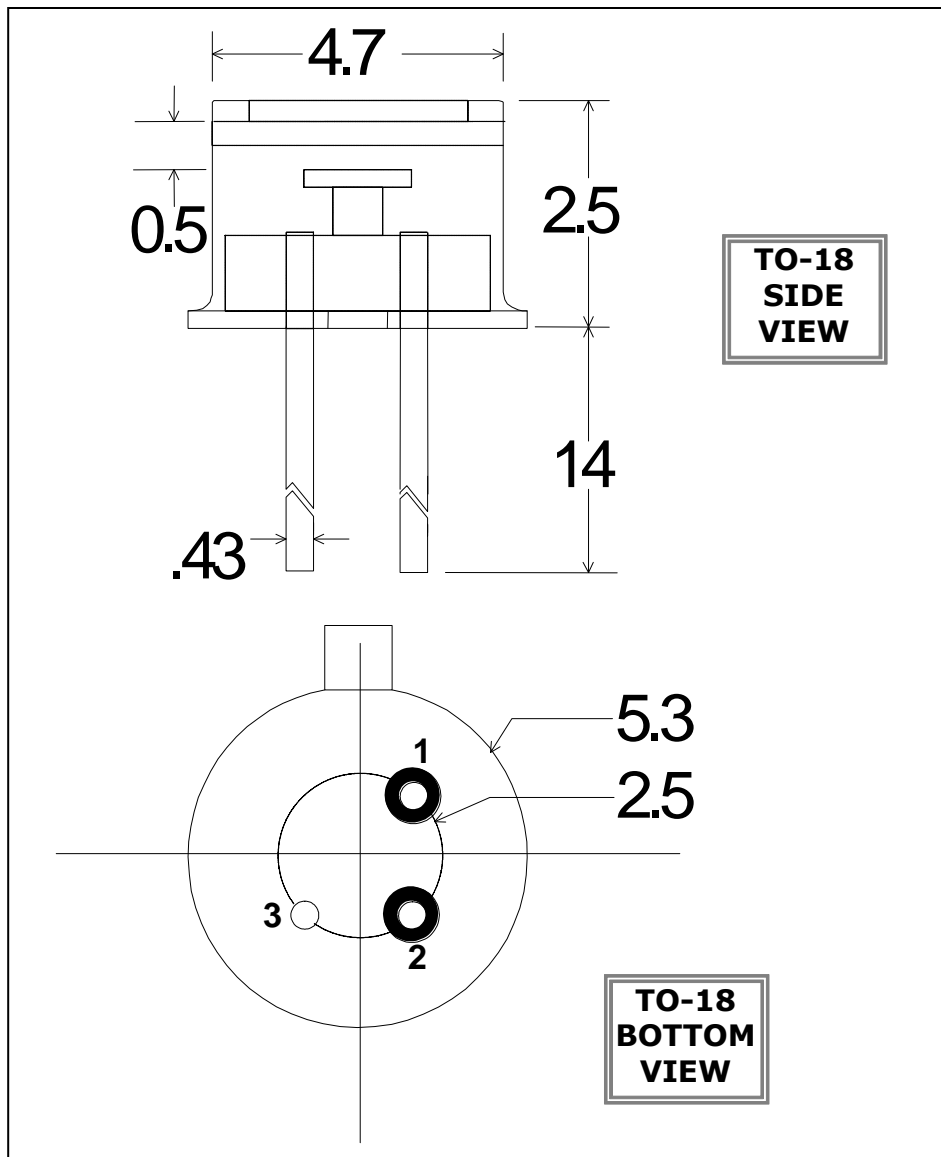


## IGA - SERIES DETECTOR



**Part No:** IGA - 001

**PIN OUT**

- 1 = ANODE
- 2 = CATHODE
- 3 = CASE

**Note:**

Dimensions in millimeters

### Application Note

**ELECTRO OPTICAL SYSTEMS** offers room temperature InGaAs photodiode detectors for operation in the 1.0 - 1.7  $\mu\text{m}$  spectral range. The units have state-of-the-art sensitivity and may be supported by accessories such as optical filters (longpass and bandpass), integral preamplifiers, and fiber optic connectors. These units find applications in industrial control systems, gas analyzers, thermal sensors, and general fiber optic test instrumentation.

### SPECIFICATIONS

Detector	0.1mm dia InGaAs Photodiode
Operating Temperature ( $^{\circ}\text{C}$ )	22
Operating Wavelength	1.0 - 1.7
Shunt Resistance ( $\text{M}\Omega$ ) min/typ	1000 / 2G
Shunt Capacitance (pF), typ	1. (-5V)
Responsivity (A/W)	0.90 @ 1.3 $\mu\text{m}$
NEP ( $\text{W}/\text{Hz}^{1/2}$ )	$< 10^{-14}$ @ 1.3 $\mu\text{m}$

*RoHS Compliant*